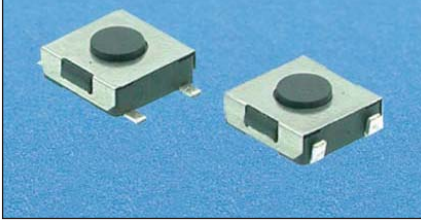
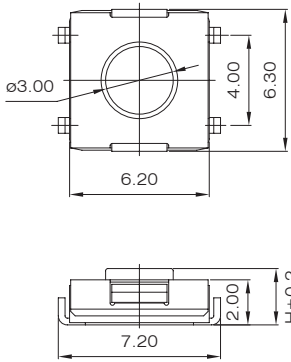
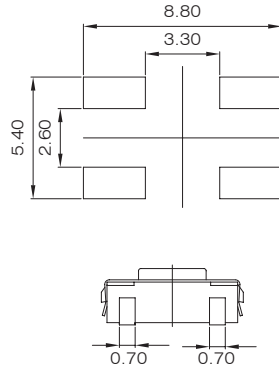
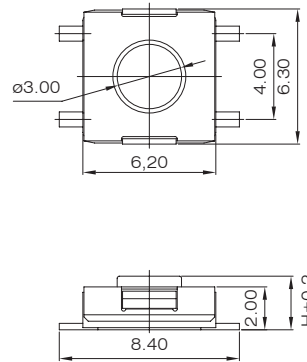
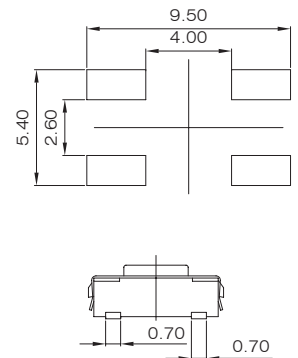
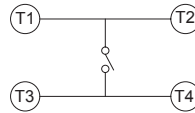


ELTS(G)L, F-6

SPECIFICATIONS

RATING: 50mA, 12VDC
 ELECTRICAL LIFE: 1,000,000 cycles
 CONTACT RESISTANCE: 100mΩ max
 INSULATION RESISTANCE: 100MΩ min. 500VDC
 DIELECTRIC STRENGTH: 250VAC/1 min
 OPERATION FORCE: 100gf, 160gf, 260gf

DIMENSIONS
ELTSL-6

P.C.B. LAYOUT

ELTSF-6

P.C.B. LAYOUT

CIRCUIT

HOW TO ORDER
